

KIMESSA

Gaswarnanlagen, Analysetechnik



Rautstrasse 12
CH-8047 Zürich, Switzerland

Telefon +41 (0)44 404 38 38
Fax +41 (0)44 404 38 39

Website www.kimessa.com
E-Mail info@kimessa.com

CHE-103.655.095 MWST

Electric drawing for the Gas-Detection with the CANline 04 Monitor

No.:

Object:

Signet:	Date:	Revision:

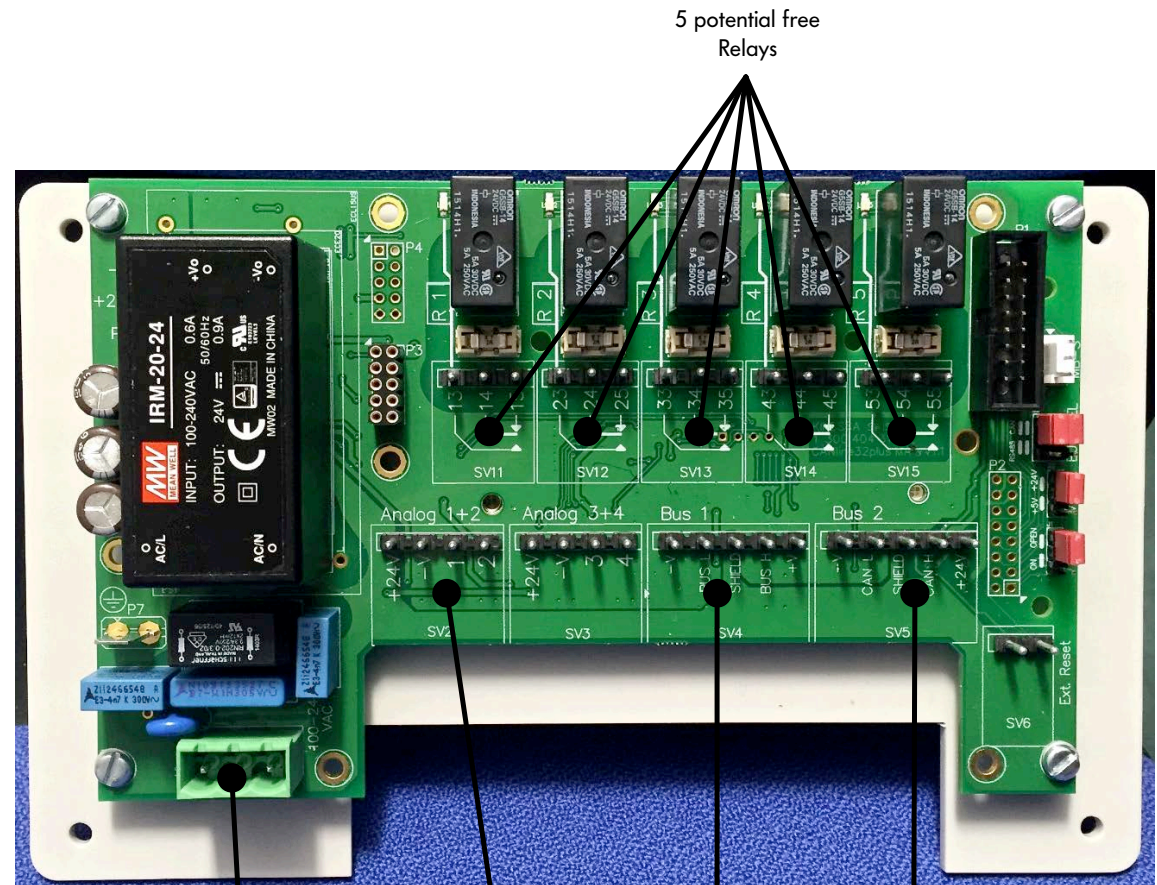
Pages	Title
0	Title
1	Table of content
2	CANline 04 monitor
3	Gas sensor according
4	
5	
6	
7	
8	
9	
10	
11	
12	
13	
14	
15	
16	
17	
18	
19	
20	
21	
22	
23	
24	
25	
26	
27	
28	
29	
30	
31	
32	
33	
34	
35	
37	
38	
39	
40	
41	
42	
43	
44	
45	
46	
47	
48	
49	

Sheet	Title
50	N500 CANline 04 with - Detector connection
51	
52	
53	
54	
55	
56	
57	
58	
59	
60	N500 CANline 04 controlling and alarming
61	
62	
63	
64	
65	
66	
67	
68	
69	
70	
71	
72	
73	
74	
75	
76	
77	
78	
79	
80	
81	
82	
83	
84	
85	
87	
88	
89	
90	
91	
92	
93	
94	
95	
96	
97	
98	
99	

CANline 04 Monitor



Dimensions: length 230 mm
width 130 mm
height 90 mm



5 potential free Relays

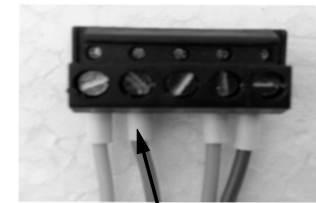
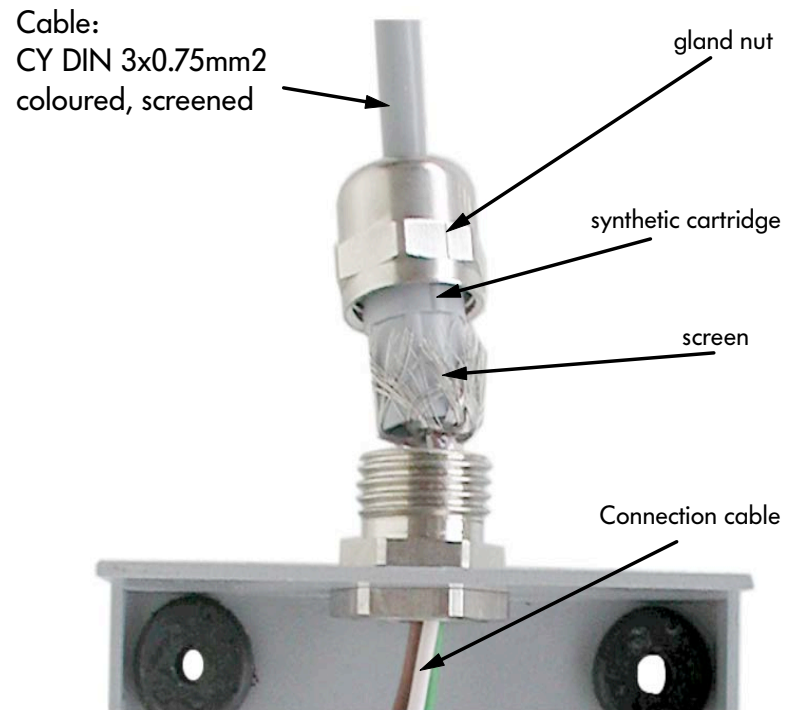
Power connection
230VAC

4 analogue 4..20mA
Detector signals
Cable:
3x0.75mm²

CAN-Bus-
connection
Cable:
Li-HCH 4x1mm²

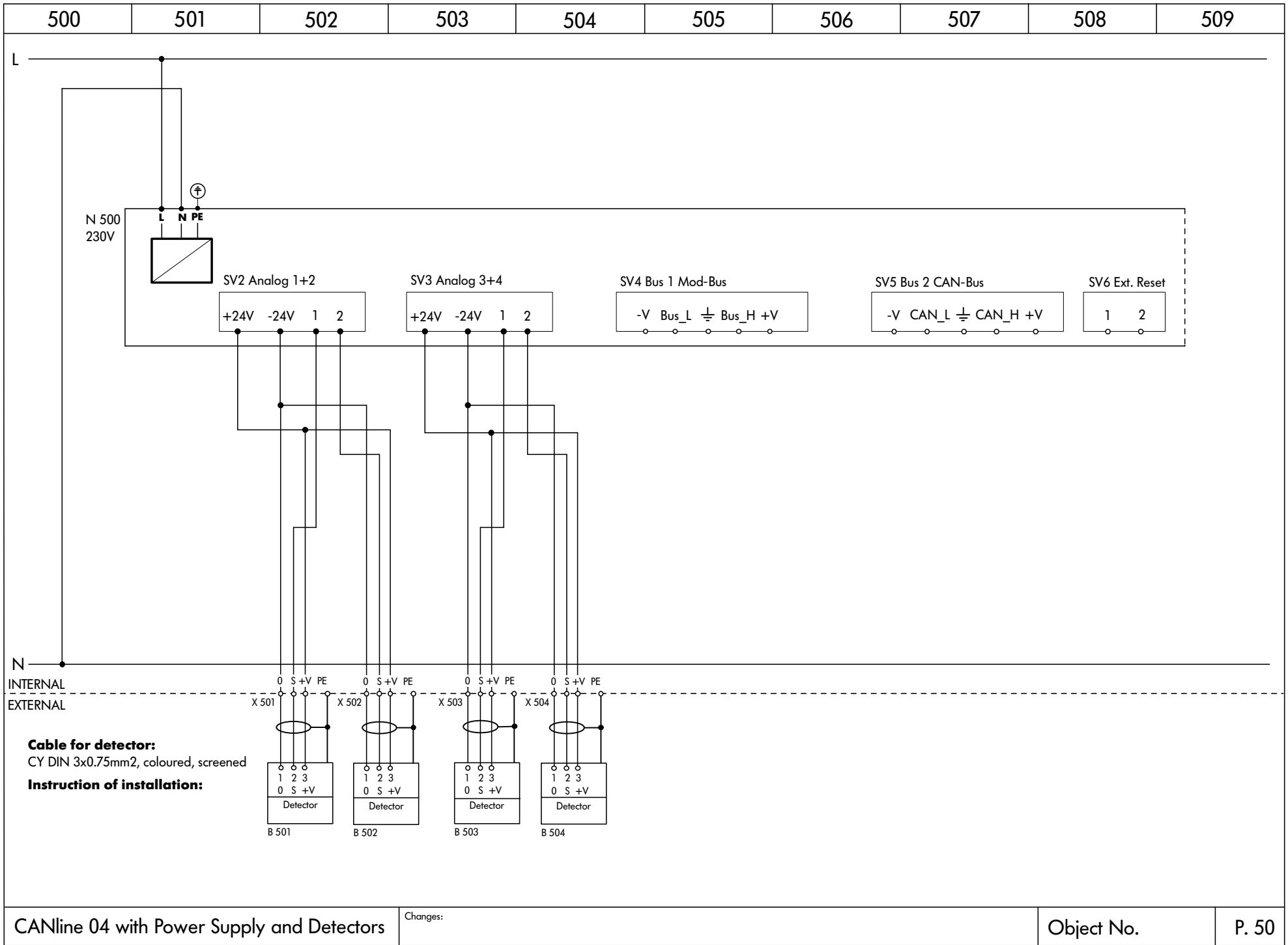
MOD-Bus-
connection
Cable:
Li-HCH 4x1mm²

Gas sensor according to CE / EMV Standart



Isolated cable and sleeve

Cut the screen to 5mm longer than the synthetic cartridge. Place the screen into the cartridge then insert the metal sleeve and fit the nut clockwise on the gland.



L

Technical fault
Relay 1 NC



N

INTERNAL

EXTERNAL