



## Gas sensor KSEC 657

for detection of Chlorine Cl<sub>2</sub>



### Features

- The gas detector measures the selected gas concentration
- The gas detector is part of the digital KIMESSA CANline BUS-Network which is designed for up to 128 gas detectors and alarming units
- linearized and temperature-compensated digital CANline-BUS output signal
- 16...30 VDC supply voltage (4-wire cable)
- various gas sensor technologies available (electrochemical, Infrared, pellistor, semiconductor)
- factory calibration with calibration certificate to the specified measuring range
- Zero & Span potentiometers and calibration jack socket accessible from outside without opening the gas detector enclosure
- water- and dust-proof IP 65 enclosure
- rust-proof and acid-resistant steel enclosure
- Swiss-Made

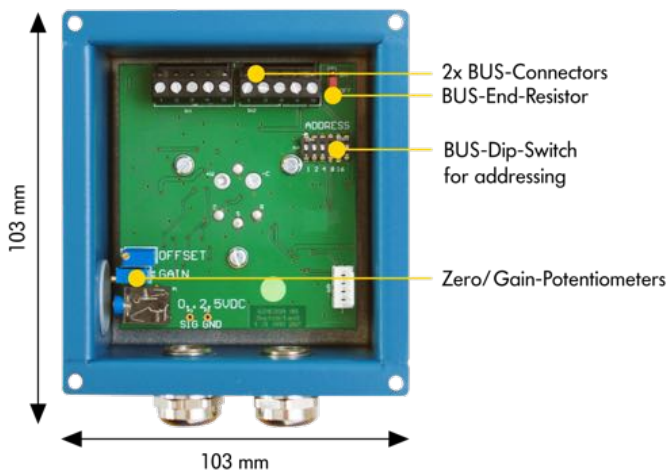
### Gas sensor KSEC 657

Gas:	Chlorine
Gas formula:	Cl <sub>2</sub>
Warranty:	12 month warranty
Position:	30 cm from Floor

### Sensor specifications

Measurement principle:	Electrochemical
Measuring range:	0...50 ppm
Standard calibration:	0...5/10/20/50 ppm
Response time t <sub>90</sub> :	< 60 sec (t <sub>80</sub> )
Operating temperature:	-40 °C ... +50 °C
Start up after reconditioning:	approx. 1 hour
Pressure range:	atmospheric ± 10%
Air humidity:	15...90% R.H. non-condensing
Position sensitivity:	none
Long term output drift:	< 2% signal loss/month
Life span at 20 °C:	2 years, depending on the application

### Electronic and Dimensions



### Housing

Housing protection:	IP 65
Material:	rust-proof and acid-resistant
Weight:	600 g

### Specifications electronic

Wiring digital:	4x 1,0 mm <sup>2</sup> , shielded
Supply:	16.5...30 VDC
Power consumption:	max. 20 mA
Output signal digital:	KIMESSA CANBUS
Switching output:	no

### Specifications construction

Cable gland:	2x M16
Cable entry:	bottom
Tests:	CE
Display:	no
Position:	position independent

### Inspection (Maintenance)

The sensor and the electronic require an inspection. Routine calibration is recommended once or twice a year.

