



Gas sensor KSIM 1530

for detection of R407c



Features

- The gas detector measures the selected gas concentration
- The gas detector is part of the digital KIMESSA CANline BUS-Network which is designed for up to 128 gas detectors and alarming units
- linearized and temperature-compensated digital CANline-BUS output signal
- 16...30 VDC supply voltage (4-wire cable)
- various gas sensor technologies available (electrochemical, Infrared, pellistor, semiconductor)
- factory calibration with calibration certificate to the specified measuring range
- Zero & Span potentiometers and calibration jack socket accessible from outside without opening the gas detector enclosure
- water- and dust-proof IP 65 enclosure
- rust-proof and acid-resistant steel enclosure
- Swiss-Made

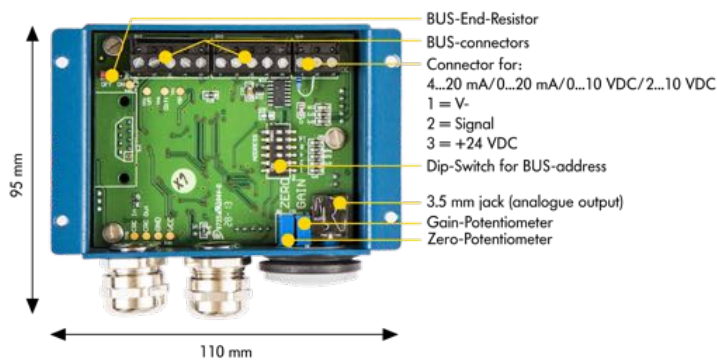
Gas sensor KSIM 1530

| | |
|--------------|------------------------------|
| Gas: | Freon R134a/R404a/R407c, etc |
| Gas formula: | R134a/R404a/R407c, etc |
| Warranty: | 12 month warranty |
| Position: | 30 cm from Floor |

Sensor specifications

| | |
|--------------------------------|---|
| Measurement principle: | Infrared |
| Measuring range: | 0...10'000 ppm |
| Standard calibration: | 0...2500/5000/10'000 ppm |
| Response time t_{90} : | < 90 sec |
| Operating temperature: | -30 °C ... +50 °C |
| Start up after reconditioning: | approx. 1 hour |
| Pressure range: | atmospheric \pm 10% |
| Air humidity: | 15...90 % R.H. non-condensing |
| Position sensitivity: | none |
| Long term output drift: | < 2% signal loss/month |
| Life span at 20 °C: | 6-8 years, depending on the application |

Electronic and Dimensions



Housing

| | |
|---------------------|-------------------------------|
| Housing protection: | IP 65 |
| Material: | rust-proof and acid-resistant |
| Weight: | 550 g |

Specifications electronic

| | |
|-------------------------|------------------------------------|
| Wiring analogue: | 3x 0,75 mm ² , shielded |
| Wiring digital: | 4x 1,0 mm ² , shielded |
| Supply: | 16.5...30 VDC |
| Power consumption: | max. 80 mA |
| Output signal analogue: | 4...20 mA / 0...20 mA |
| Output signal digital: | KIMESSA CANBUS |
| Switching output: | no |

Specifications construction

| | |
|--------------|-------------------------|
| Cable gland: | 1x M16 (digital 2x M16) |
| Cable entry: | bottom |
| Tests: | CE |
| Display: | no |
| Position: | position independent |

Inspection (Maintenance)

The sensor and the electronic require an inspection. Routine calibration is recommended once or twice a year.

